



SB-2024 PUMP

EQUIPMENT MANUAL

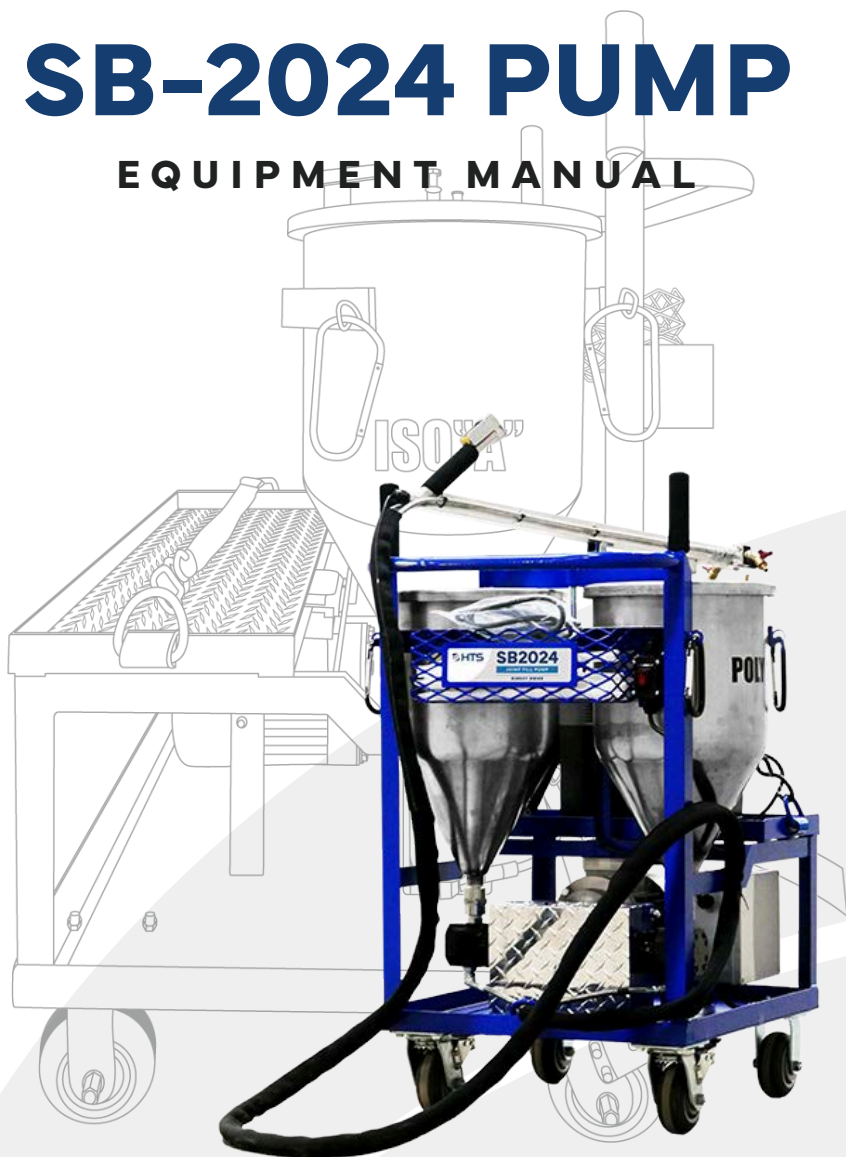


TABLE OF CONTENTS

SAFETY	3
Guidelines and procedures to ensure safe operation and maintenance of equipment.	
OPERATION	3
Step-by-step instructions for proper and efficient equipment usage, ensuring optimal performance.	
CLEANING & MAINTENANCE	3
Proper upkeep and care of equipment will help ensure its longevity and reliability.	
SPECIFICATIONS	4
Technical specifications, dimensions, and other helpful product information.	
LIMITED WARRANTY	4
Coverage of terms and conditions for product maintenance and support.	
PARTS DIAGRAMS	
SB2024 Pump - Side View	5
SB2024 Pump - Front View	5
SB2024 Pump - Rear View	6
Handle and manifold – Top View	6
SBP501 - Complete Handle Assembly	7
SBP502 - Handle Switch and Pot Replacement	7
SBP500 - Manifold Complete	8
Wiring Diagram	9
Tank Assembly and Concentric Drive System	10

SAFETY

1. Become completely familiar with the SB2024 pump before operation and read all safety recommendations on the SDS of the material you will be pumping.
2. Keep hands and clothing free from all moving parts.
3. Secure the pump and use the wheel brakes when transporting.
4. Always use the same tanks (Isocyanate or Polyol) with similar chemicals or mixed material will cure inside of the tanks, pumps, hoses, etc.
5. Never alter the machine from its original condition for safety purposes.

OPERATION

1. Fill tanks - Iso in Iso tank, Polyol in Polyol tank. Never allow pumps to run dry – keep them wet with oil if not using polyol or isocyanate.
2. Check all connections for leaks and tightness.
3. Connect the pump to a power supply via power pack, generator, or extension cord. Open tank lid air vents or remove lids.
4. The main power switch is located on the right side just below the frame handle. Switch it to "ON" and use the black rocker thumb switch to turn the pump on or off. Adjust speed control with the dial knob on the hand applicator and verify the pump is working. Attach the nozzle to the manifold with the retaining nut, purge product to test for proper mixing, then begin pumping.
5. When finished, turn "OFF" the black thumb switch, then turn off the main switch. Disconnect your power source, close lid air vents, remove the nozzle, and grease the manifold until grease flows out. Add a small amount of grease to the manifold threads before replacing the night cap and nut. Be sure your pumps and supply lines remain wet with product or oil.
6. Seal the tanks airtight with a sheet of clear plastic, or for the best option, add a layer of dry compressed nitrogen for approximately 3 – 5 seconds, quickly closing the lid after adding the nitrogen.
7. For detailed instructions, visit www.htspoly.com.

CLEANING/MAINTENANCE

1. Empty tanks and purge the system out with, xylene, or like material. Cycle cleaner through system for 10 minutes using ratio valves on the manifold, but also purge through the manifold to clean it out. Wipe tanks clean then purge cleaner out with clean oil leaving it within the lines, manifold, valves, and the pumps. Always check and clean debris from strainers at bottom of tanks. DO NOT USE ACETONE.
2. Grease manifold through fittings and add grease to manifold threads.
3. Replace night cap securely with nut.
4. Use HTS Iso Gone to clean geared pumps and tanks where material has hardened.
5. For detailed instructions, visit www.htspoly.com.



SPECIFICATIONS

- **Weight:** 202 lbs. dry/233 lbs. with Ecoflow battery system.
- **Height:** 50". Width: 29". Length: 31"
- **Motor:** 1 HP AC Gear motor Volts:110, Torque: 415 In. Lbs.
- **Pumps:** Cast iron dual internal rotary gear pumps
- **Tanks:** 6.7 gallon, 14 gauge 304 stainless steel
- **Hoses:** 3/8" x 15' stainless steel braided hoses coupled with a protective sleeve
- **Wheels:** 5" non-marring gray balloon cushion wheels - swivel wheels have brakes
- **Dispensing Unit:** Extended lightweight aluminum handle with a dual port manifold, thumb operated on/off switch and speed control knob
- **Viscosity:** 50 – 2,000 cps. Flow Rate: 1 gallon per minute.
- **Ratio:** 1:1

LIMITED WARRANTY

HTS will repair or replace, at its expense and its option, any part of the SB2024, which during normal use has proven to be defective in workmanship or material, provided that the customer returns the product prepaid to HTS within six (6) months from the date of the original purchase and provides HTS with a reasonable opportunity to verify the alleged defect by inspection. Parts may need to be sent to the manufacturer for inspection and repair or replacement. HTS will not be responsible for any asserted defect, which has resulted from misuse, abuse or repair or alteration made or specifically authorized by anyone other than HTS. Under no circumstances will HTS be liable for incidental or consequential damage resulting from defective products. This is the sole warranty of HTS and sets forth the customer's exclusive remedy, with respect to defective products; all other warranties, express or implied, whether of merchantability, fitness for purpose, or otherwise, are expressly disclaimed by HTS.

* For support on a purchased powerpack contact your HTS representative.

PARTS DIAGRAMS

1	SBP039+N	6.7-gal Hopper
2	SBP053+V	6.7-gal Hopper Lid w/ Air Vent
3	SBPGRIP246A	Bike Grip (Small)
4	SBP1532	Carabiner
5	SBP042NEW	Hose 15'
6	SBP400	Concentric Drive Pump
7	SBP405	Ridgid Caster
8	SBP406	Swivel Caster
9	SBP409	Motor
10	SBP416	Wire and Hose Sleeve
11	SBP417	Generator Strap
12	SBP418	Circuit Breaker
13	SBP419	SCR Drive Box
14	SBP026	Power Cord

SB2024 PUMP - SIDE VIEW

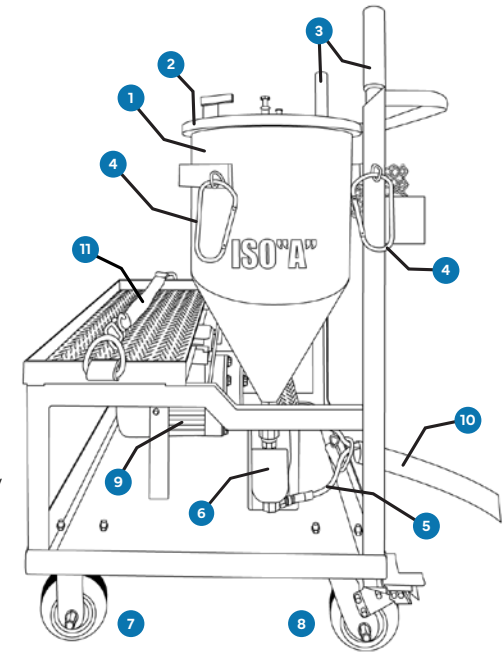


Figure 1 - SB2024 Side View

SB2024 PUMP - FRONT VIEW

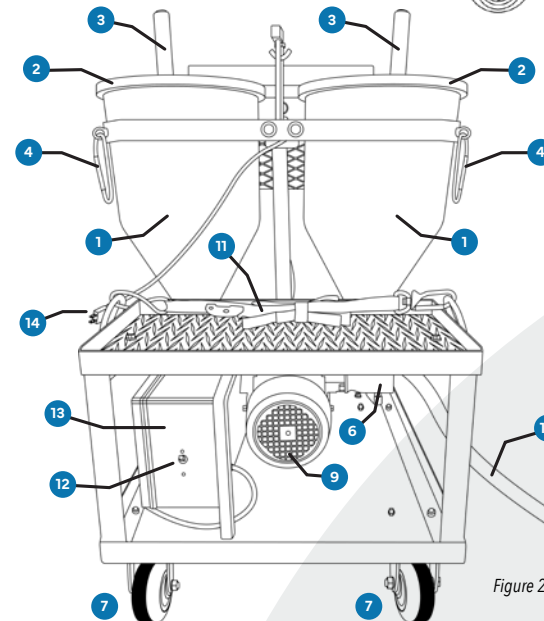


Figure 2 - Front View (Tray Side)



PARTS DIAGRAMS

SB2024 PUMP - REAR VIEW

1	SBP039+N	6.7-gal Hopper
2	SBP053+V	6.7-gal Hopper Lid w/ Air Vent
3	SBPGRIP246A	Bike Grip (Small)
4	SBP1532	Carabiner
5	SBP042NEW	Hose 15'
6	SBP400	Concentric Drive Pump
7	SBPMALDP	Access Panel
8	SBP406	Swivel Caster
9	SBP409	Motor
10	SBP416	Wire and Hose Sleeve
11	SBP419	SCR Drive Box
12	SBP420	Lighted Switch

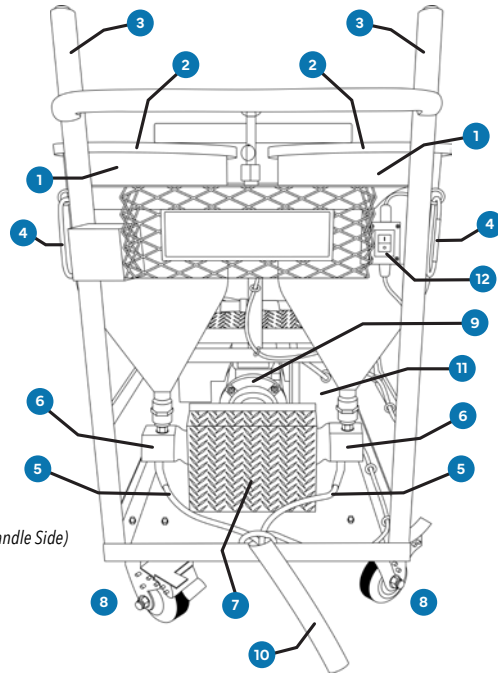


Figure 3 - Rear View (Handle Side)

HANDLE AND MANIFOLD - TOP VIEW

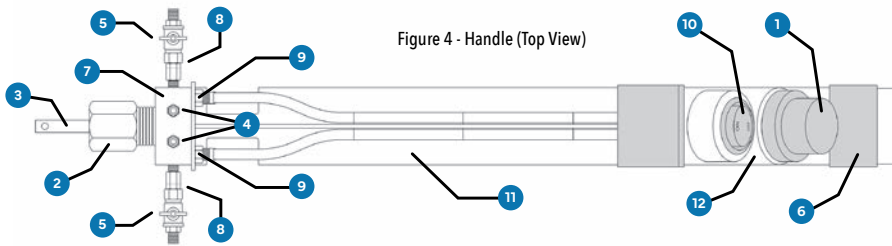
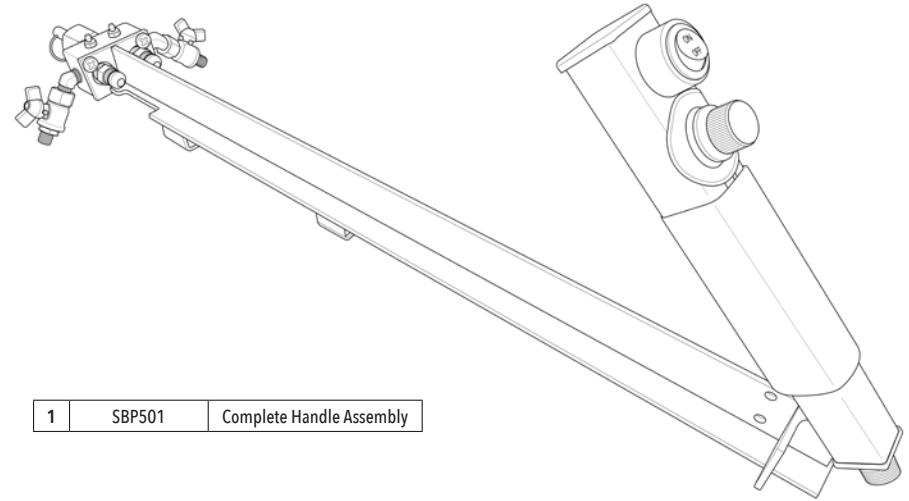


Figure 4 - Handle (Top View)

1	SBP007	Black Control Knob & Dial	7	SBP402	Manifold
2	SBP058AL	Manifold Retaining Nut - Aluminium	8	SBP414	45 Degree Manifold Elbow
3	SBP062	Manifold Night Cap	9	SBP415	Manifold to Hose Connector
4	SBP106	Grease Fittings (6mm x 1mm)	10	SBP424	On/Off Handle Switch
5	SBP121	Manifold Ratio Ball Valve	11	SBP426	Aluminium Handle
6	SBPGRIP262A	Bike Grip (Large)	12	SBP433	Potentiometer + Switch Housing

PARTS DIAGRAMS

SBP501 - COMPLETE HANDLE ASSEMBLY



1	SBP501	Complete Handle Assembly
---	--------	--------------------------

Figure 5 - SBP501 Complete Handle Assembly

SPB502 - HANDLE SWITCH AND POTENTIOMETER REPLACEMENT

1	SBP007	Black Control Knob & Dial Plate
2	SBP119+QC	Potentiometer Kit (Speed Control)
3	SBP424	On/Off Handle Switch
4	SBP433	Potentiometer Switch Housing

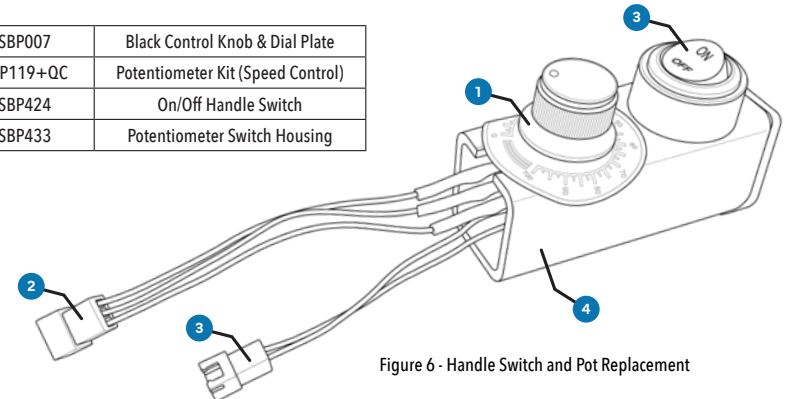


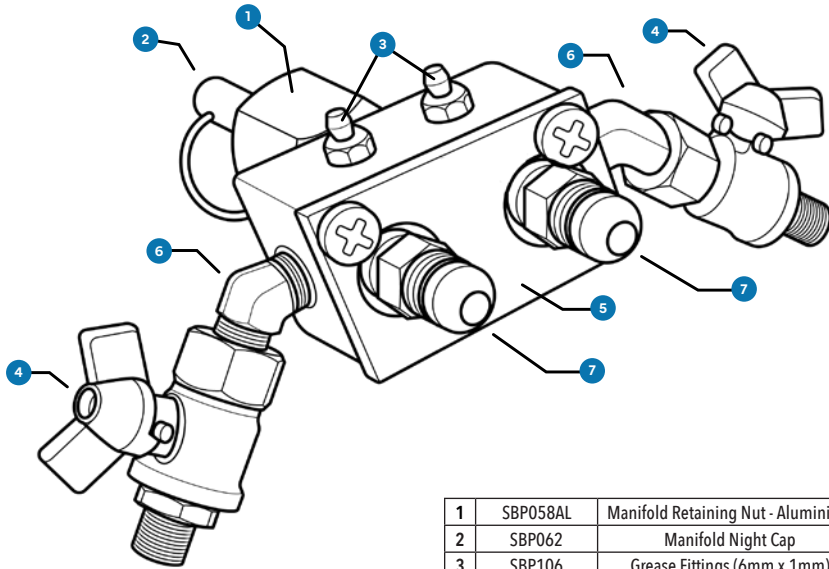
Figure 6 - Handle Switch and Pot Replacement



PARTS DIAGRAMS

MANIFOLD COMPLETE (SBP500)

Figure 7 - Manifold Complete

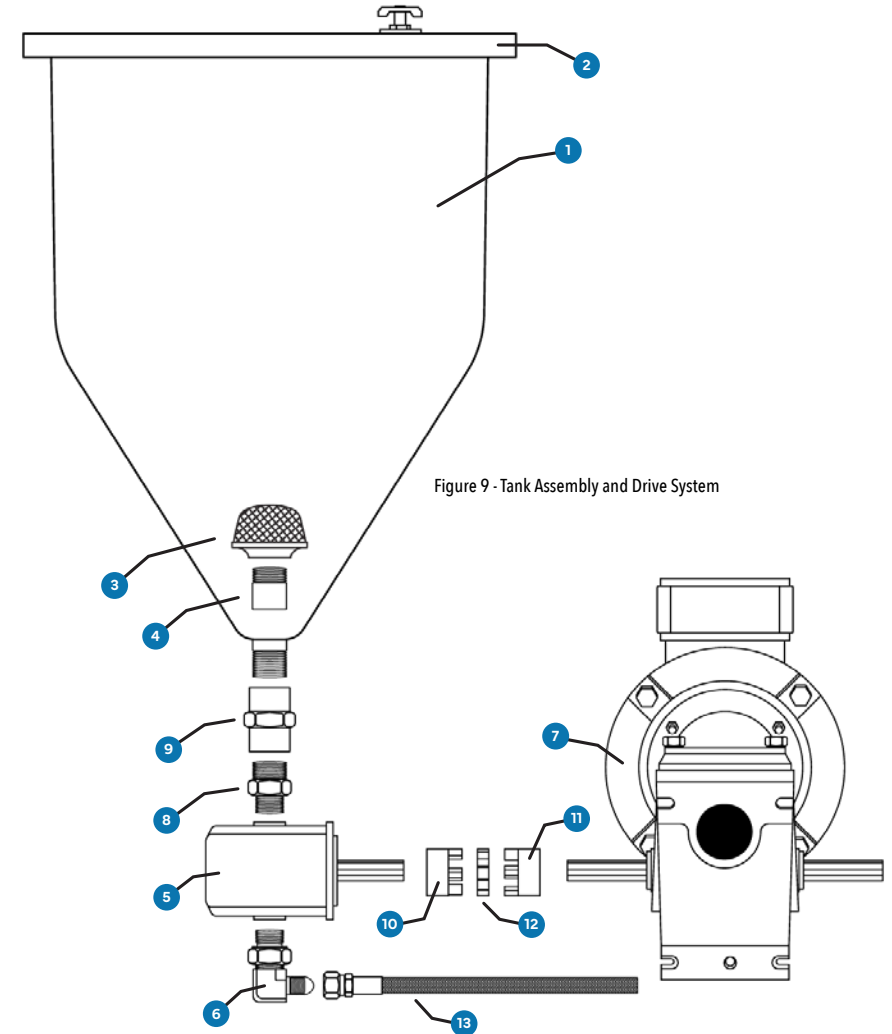


1	SBP058AL	Manifold Retaining Nut - Aluminium
2	SBP062	Manifold Night Cap
3	SBP106	Grease Fittings (6mm x 1mm)
4	SBP121	Manifold Ratio Ball Valve
5	SBP402	Manifold
6	SBP414	45 Degree Manifold Elbow
7	SBP415	Manifold to Hose Connector

PARTS DIAGRAMS

TANK ASSEMBLY AND CONCENTRIC DRIVE SYSTEM

Figure 9 - Tank Assembly and Drive System



1	SBP039+N	6.7-gal Hopper	8	SBP412	Tank to Pump Coupler (M to M)
2	SBP053+V	6.7-gal Hopper Lid w/ Air Vent	9	SBP413	Tank to Pump Coupler (F to F)
3	SBP082	Tank Screen	10	SBP421	1/2" Pump Jaw Coupler
4	SBP082NIP	Removable Tank Screen Nipple	11	SBP422	3/4" Motor Jaw Coupler
5	SBP400	Concentric Gear Pump	12	SBP428	Jaw Coupler Buna Spider
6	SBP403	Pump Elbow	13	SBP042NEW	Hose 15'
7	SBP409	Motor			



PARTS DIAGRAMS

WIRING DIAGRAM

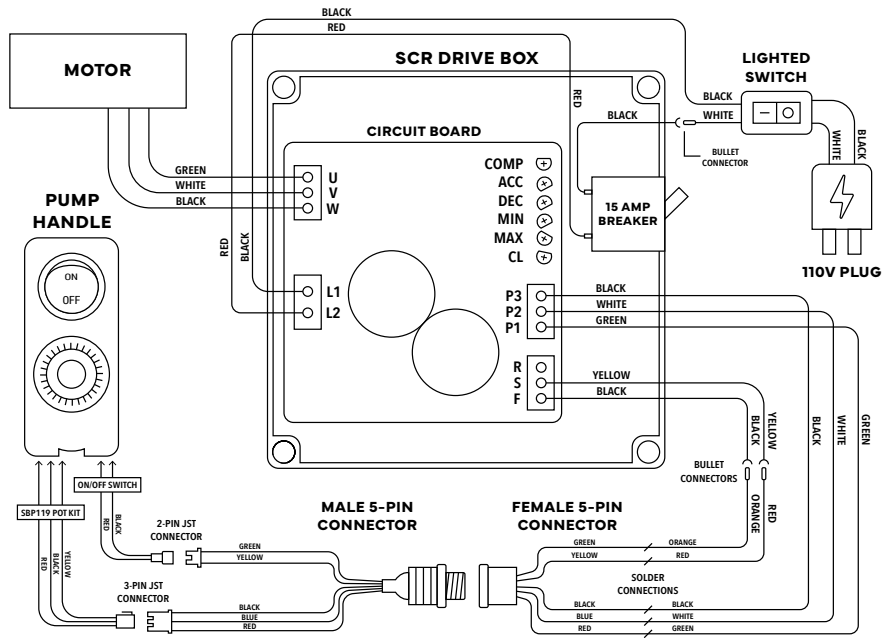
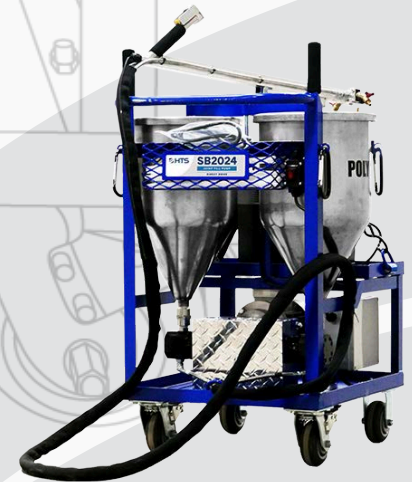


Figure 8 - SB2024 Wiring Diagram

PARTS GLOSSARY

Part No.	Part Name	Page	Part No.	Part Name	Page
SBP007	Black Control Knob & Dial	6-7	SBP413	Tank to Pump Coupler (F to F)	10
SBP026	Power Cord	5	SBP414	45 Degree Manifold Elbow	6,8
SBP039+N	6.7 Gal Hopper	5-6,10	SBP415	Manifold to Hose Connector	6,8
SBP042NEW	Hose 15'	5-6,10	SBP416	Hose Sleeve	5-6
SBP053+V	6.7-gal Hopper Lid w/ Air Vent	4	SBP417	Power Pack/Generator Strap	5
SBP058AL	Retaining Nut - Aluminum	5	SBP418	Circuit Breaker	5
SBP062	Manifold Night Cap	6,8	SBP419	SCR Drive Box	5-6,11
SBP082	Tank Screen	10	SBP420	Lighted Switch	6
SBP082NIP	Removable Tank Screen Nipple	10	SBP421	1/2" Pump Jaw Coupler	10
SBP106	Grease Fittings (6mm x 1mm)	6,8	SBP422	3/4" Motor Jaw Coupler	10
SBP119+QC	Potentiometer Kit (Speed Control)	7	SBP424	On/Off Handle Switch	6-7
SBP121	Manifold Ratio Ball Valve	6,8	SBP425	5-pin Connector	7,9
SBP1532	Carabiner	5-6	SBP426	Aluminium Handle	6-7
SBP216	Lid Bracket		SBP428	Jaw Coupler Buna Spider	10
SBP400	Concentric Drive Pump	5-6,10	SBP433	Potentiometer + Switch Housing	6-7
SBP402	Manifold	6-8	SBP500	Manifold Complete	8
SBP403	Pump Elbow	10	SBP501	Complete Handle Assembly	7
SBP405	Ridgid Caster	5	SBP502	Handle Switch & Pot Replacement	7
SBP406	Swivel Caster	5-6	SBP503	Handle to SCR Drive Wiring Loom	
SBP409	Motor	5-6,10	SBPGRIP246A	Bike Grip (Small)	5-6
SBP410	SCR Drive	5-6,9	SBPGRIP262A	Bike Grip (Large)	6
SBP412	Tank to Pump Coupler (M to M)	10	SBPMALDP	Access Panel	6





909.945.5530 • htspoly.com