



# HT-7 CLEANOUT SAW

EQUIPMENT MANUAL





A detailed line drawing of the HTS HT-7 Joint Saw, showing its motor, handle, and wheels. The motor housing is labeled 'HTS HT-7'. The saw is positioned diagonally across the page, with the motor at the top right and the wheels at the bottom left.

## TABLE OF CONTENTS

<b>SAFETY</b> .....	<b>1</b>
Guidelines and procedures to ensure safe operation and maintenance of equipment.	
<b>OPERATION</b> .....	<b>1</b>
Step-by-step instructions for proper and efficient equipment usage, ensuring optimal performance.	
<b>CLEANING &amp; MAINTENANCE</b> .....	<b>2</b>
Proper upkeep and care of equipment will help ensure its longevity and reliability.	
<b>SPECIFICATIONS</b> .....	<b>2</b>
Technical specifications, dimensions, and other helpful product information.	
<b>LIMITED WARRANTY</b> .....	<b>2</b>
Coverage of terms and conditions for product maintenance and support.	
<b>PARTS DIAGRAMS</b>	
HT-7 Joint Saw .....	<b>3</b>
Handle Schematic .....	<b>3</b>
<b>PARTS GLOSSARY</b> .....	<b>4</b>
Complete listing of replacement parts and part numbers.	

# SAFETY

---

## 1. BEFORE OPERATING

- Become completely familiar with the HT-7 Joint Saw before operation and read SDS on the material being removed.
- Inspect the HT-7 saw before each use for any damage or wear. Check the blade for defects.
- Ensure all bolts and fasteners are tight, and that the blade is securely fastened.
- Never alter the machine from its original condition.
- Know the location of the nearest first aid kit and emergency contact numbers.

## 2. PERSONAL PROTECTIVE EQUIPMENT (PPE)

- Always wear appropriate PPE, including safety glasses or goggles, hearing protection, and a dust mask or respirator.
- Wear steel-toed boots to protect your feet from potential injury.

## 3. OPERATING SAFETY

- Keep the work area clean and free of debris to prevent slips and trips.
- Ensure there are no flammable materials nearby as sparks may be generated during cutting.
- Make sure the work area is well-ventilated when cutting indoors to avoid inhaling dust and fumes.
- Keep hands, feet, and loose clothing away from the moving blade at all times.
- Be aware of your surroundings and avoid distractions while operating.

## 4. BLADE REPLACEMENT

- Ensure the saw is unplugged before replacing the blade.
- Use caution when handling the blade, as the edges may be sharp.
- Tighten the reverse-thread bolt securely when installing a new blade.

## 5. EMERGENCY PROCEDURES

- In case of an accident or injury, turn off the saw immediately and seek medical attention if necessary.

# OPERATION

---

## 1. OPERATING THE SAW

- Gripping the handle firmly, press and hold the on/off safety switch lever on the handle to engage the saw.
- If cutting in an already established joint, ensure blade is embedded into the joint, allow the saw blade to reach full speed before beginning the cut.
- If starting a new cut, tip the saw backwards slightly and lower slowly to plunge the blade into the joint, ensure blade reaches full speed and begin cutting.

## 2. CUTTING CONTROL JOINTS

- Always wear appropriate PPE, including safety glasses or goggles, hearing protection, and a dust mask or respirator.
- Wear steel-toed boots to protect your feet from potential injury.

## 3. AFTER OPERATING

- Turn off the saw and unplug it.
- Allow the blade to come to a complete stop before setting the saw down.
- Clean the saw and inspect the blade for wear.
- Unplug the saw when not in use and during maintenance.

## CLEANING/MAINTENANCE

---

### 1. REPLACING THE BLADE

- Ensure the saw is turned off and unplugged before replacing the blade.
- Use the appropriate wrench to loosen the reverse-thread bolt that secures the blade.
- Remove the bolt and carefully take off the old blade.
- Install the new blade, making sure it is properly aligned.
- Tighten the reverse-thread bolt securely.

### 2. GENERAL CARE

- Replace blades regularly as dull or damaged blades can overwork the saw
- Replacing worn or damaged wheels replacement to avoid inconsistent joints or kicking or tilting the saw
- Check fasteners over time as they make work loose over time. Key areas to consider are the joint guide part #SW08, wheel bearings, saw fasteners, handle, etc.
- Saw power switch can be replaced if worn out, damaged, or does not engage the saw. Replacement part #SW08.
- Ensure Blade bolt is fastened properly as fastener is reverse thread.

For more detailed instructions visit [www.htspoly.com](http://www.htspoly.com).

## SPECIFICATIONS

---

<b>Weight:</b>	65 lbs	<b>Blade Size:</b>	7" - Up to ¼" Wide
<b>Dimensions:</b>	13" (W) x 36" (H) x 32" (L)	<b>Arbor Size:</b>	Diamond Shape
<b>Motor:</b>	High torque Dual-Field	<b>Cutting Depth:</b>	Up to 2"
<b>RPM:</b>	4700	<b>Vacuum CFM:</b>	250+ (Recommended)
<b>Current Rating:</b>	15 Amp	<b>Wheels:</b>	6" non-marring gray balloon-cushion wheels
<b>Power:</b>	120V, 60Hz		

## LIMITED WARRANTY

---

HTS will repair or replace, at its expense and its option, any part of the HT-7, which during normal use has proven to be defective in workmanship or material, provided that the customer returns the product prepaid to HTS within six (6) months from the date of the original purchase and provides HTS with a reasonable opportunity to verify the alleged defect by inspection. Parts may need to be sent to the manufacturer for inspection and repair or replacement. HTS will not be responsible for any asserted defect, which has resulted from misuse, abuse or repair or alteration made or specifically authorized by anyone other than HTS. Under no circumstances will HTS be liable for incidental or consequential damage resulting from defective products. This warranty the sole warranty of HTS and sets forth the customer's exclusive remedy, with respect to defective products; all other warranties, express or implied, whether or merchantability, fitness for purpose, or otherwise, are expressly disclaimed by HTS.



➔ Scan to view this  
manual on your device

# PARTS DIAGRAMS

## HT-7 CLEANOUT SAW

1	SW01	Saw Unit
2	SW02	Non-marring Gray Cushion Wheels
3	SW04	HT-7 Frame Parts
4	SW05	On/Off Switch Lever
5	SW06	Switch Cover
6	SW08	Joint Guide
7	SW09	Blade Removal Tool
8	SW10	Saw Depth Adjustment Lever
9	SBPGRIP246A	Bike Grip 246A - Small
10	SBP100-4	Cable Gland
11	BLD-HT7-VBDA	Removal Blade 7" X .125"

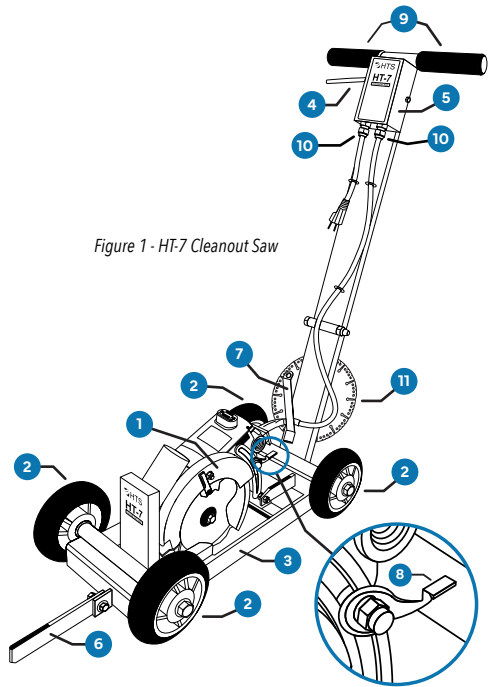
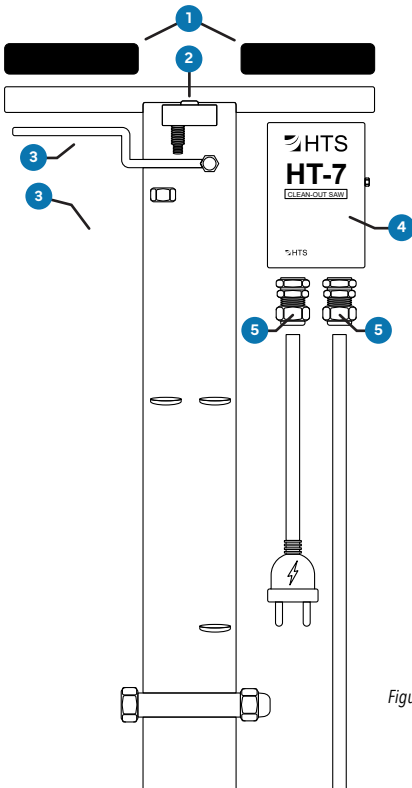


Figure 1 - HT-7 Cleanout Saw



## HT-7 HANDLE SCHEMATIC

1	SBPGRIP246A	Bike Grip 246A - Small
2	SW03	On/Off Switch
3	SW05	On/Off Switch Lever
4	SW06	Switch Cover
5	SBP100-4	Cable Gland

Figure 2 - HT-7 Handle Schematic

## PARTS GLOSSARY

Part No.	Part Name	Page
SW01	Saw Unit	3
SW02	Non-marring Gray Cushion Wheels	3
SW03	On/Off Switch	3
SW04	HT-7 Frame Parts	3
SW05	On/Off Switch lever	3
SW06	Switch Cover	3
SW08	HT-7 Joint Guide	3
SW09	Blade Removal Tool	3
SW10	Saw Depth Adjustment Lever	3
SBPGRIP246A	Bike Grip 246A - Small	3
SBP100-4	Cable Gland	3
BLD-HT7-VBDA	Removal Blade 7" X .125	3



➔ Scan to view this  
manual on your device



909.945.5530 • [htspoly.com](http://htspoly.com)